

# AP-1 & AP-2

## Quick Start Guide



www.agentheadsets.com

### What's in the box:

	AP-1 PLX-QD	AP-2 PLX-QD
AP Headset	✓	✓
Headset Bag	✓	✓
Clothing Clip	✓	✓
Foam ear cushion(s)	✓	✓

AP Headset



Headset Bag

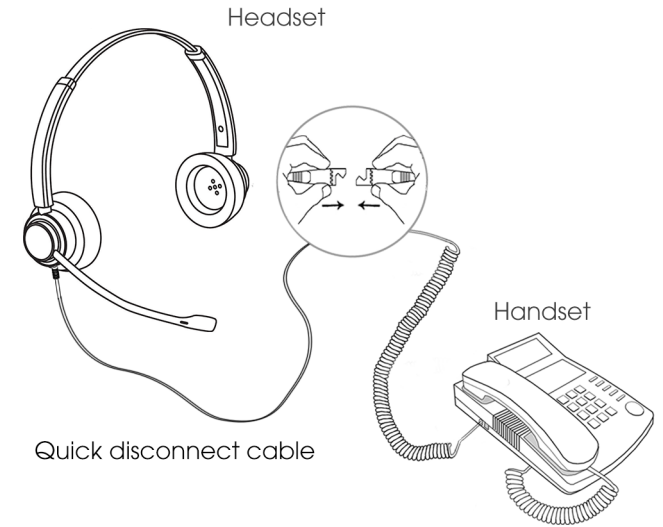
Foam ear cushion(s)



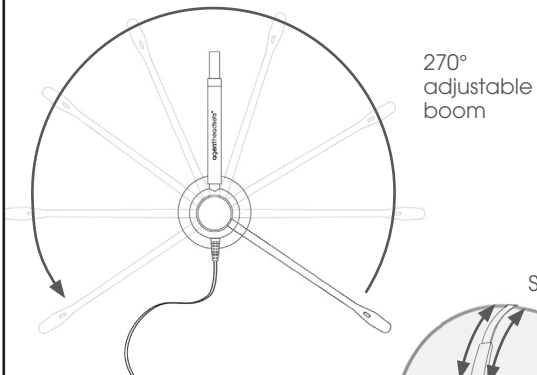
Clothing clip



### Step 1: Connecting the headset

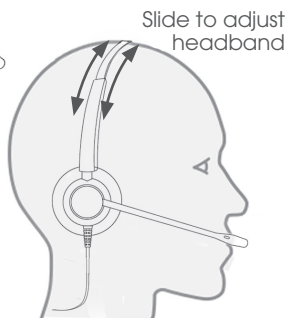


### Step 2a: Adjusting the microphone boom



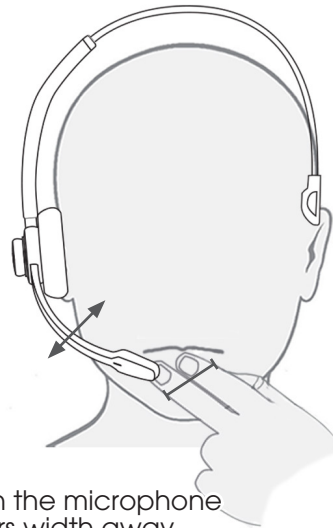
270°  
adjustable  
boom

### Step 2b: Adjusting the headband



Slide to adjust  
headband

### Step 3: Adjusting the microphone position



Position the microphone  
2-fingers width away  
from the mouth

### Step 4: Disconnecting the headset

